

AD450 (Duplex Unit)

(Code: G361)

For Machine Code: G094/G095

INSTALLATION GUIDE

⚠ CAUTION:

- Before installing options, the machine should be turned off and unplugged for at least thirty minutes. Components inside the machine become very hot, and can cause a burn injury if touched.
- When lifting the machine, use the grips on both sides. The machine could break or cause an injury if dropped.
- It is dangerous to handle the plug with wet hands. Doing this may result in receiving an electric shock.
- Before moving the machine, unplug the power cord from the outlet. If the cord is unplugged abruptly, it could become damaged. Damaged plugs or cords can cause an electrical or fire hazard.

⚡ Important

- If you attach the Duplex Unit and the Paper Feed Unit, the Paper Feed Unit must be attached prior to attaching the Duplex Unit.
- Check the printer nameplate to confirm the model code.

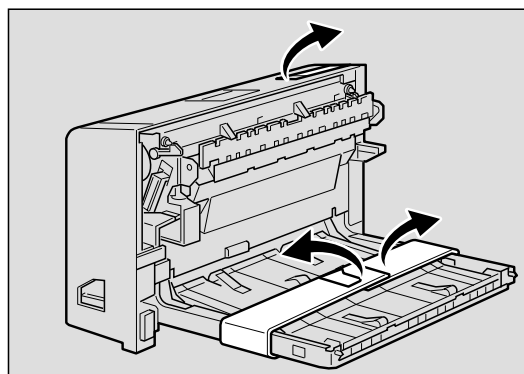
1 Check the contents of the box for the following items:

Description	Q'ty
Duplex Unit	1
Installation Guide (This manual)	1

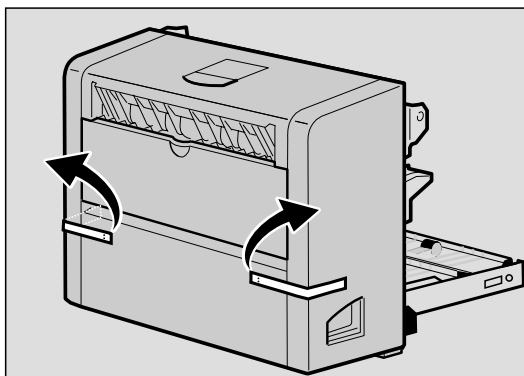
2 Confirm that the followings are true:

- The power switch is turned off.

3 Remove the adhesive tapes and paper.

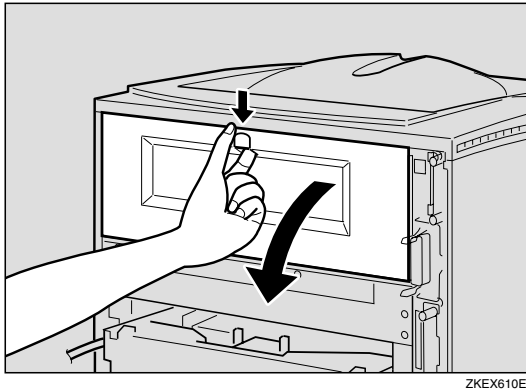


ZKEX650E



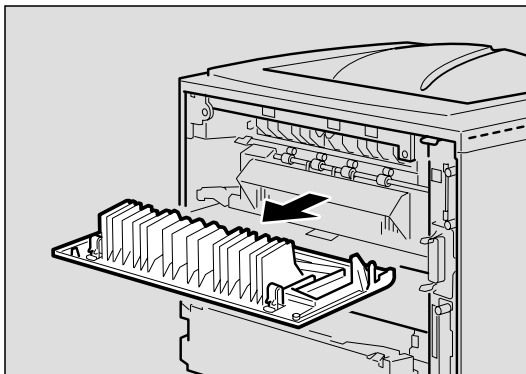
ZKEX651E

- 4** Place a finger in the printer's rear cover finger hole (upper center) and pull it open.



ZKEX610E

- 5** Remove the rear cover in the horizontal direction.

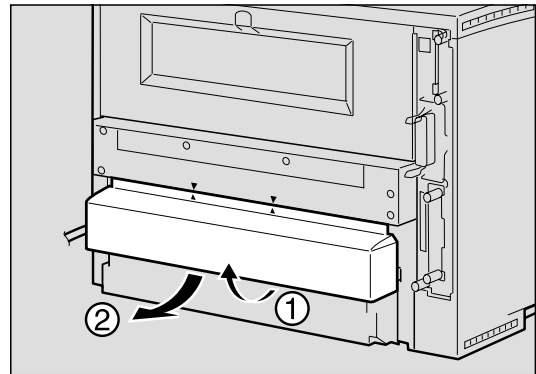


ZKEX620E

Note

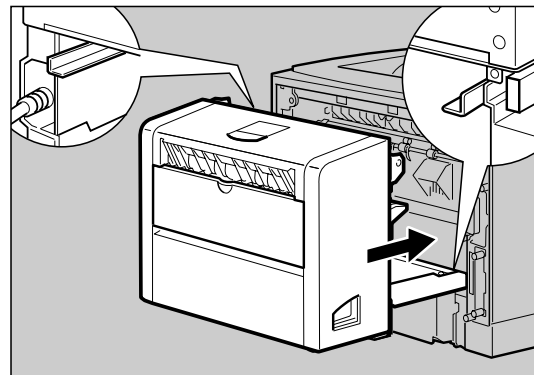
- The rear cover of the printer is not used when attaching the Duplex Unit.
- Store the removed rear cover for possible future use.
- Proceed to step **7** if the paper tray cover is not installed.

- 6** Pull the bottom of the paper tray cover (①) up slightly, and then remove the paper tray cover (②), in the order shown in the illustration.



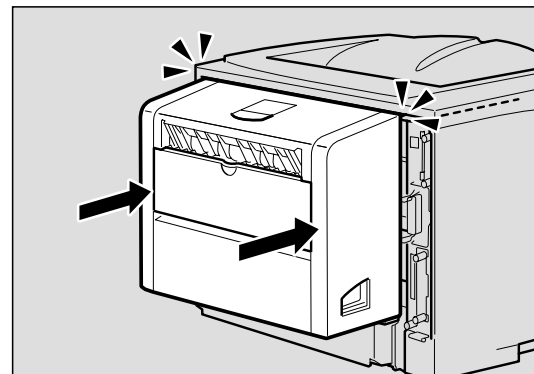
ZKDX780J

- 7** Push in the Duplex Unit along the rails at the back of the printer.



ZKEX231E

- 8** Push the Duplex Unit securely into the printer.



ZKEX630E

- 9** Attach the interface cable to the printer.

10 Plug the printer's power cord back into the wall outlet, and then turn on the power switch.

 **Note**

- After installing the last option that you want, print the configuration page to confirm the installation. If the new device is listed in the column of configuration options, then it has been properly installed. For more information about printing the configuration page, see "Printing the Configuration Page", *Printer Reference* on the CD-ROM labeled "Operating Instructions".
- If the Duplex unit is not installed properly, repeat the procedure from step **9** . If you cannot install it properly even after reinstallation, contact your sales or service representative.
- If the printing position is not correct, adjust the registration of the trays. For more information about adjusting the registration of the trays, see "Adjusting the Registration of the Trays" in the *Printer Reference*.

